

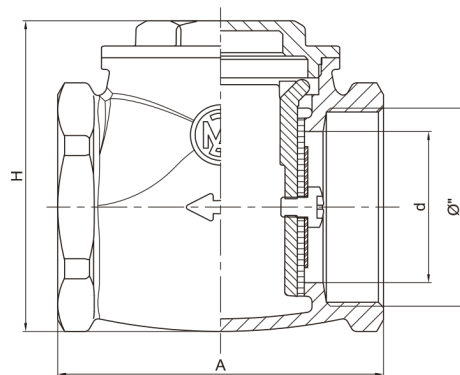
# art. 3100

valvola a clapet - tenuta gomma  
 flap-valve - rubber seal  
 soupape à clapet - joint en caoutchouc  
 Klappenventil - Gummi-Dichtung  
 válvula de lengüeta - sello de goma



Rosca: cilíndrico gas UNI EN ISO 228/1

Ø"	3/8"	1/2"	3/4"	1"	1"1/4	1"1/2	2"	2"1/2	3"	4"	5"	6"
d	14	14	20	25	33	37	45	57	72	90	119	145
H	49,5	49,5	54,5	63	71,5	80	92,5	110	129	165	205,5	233,5
A	50	50	54	68	74	86	97	116	164	164	206	235
gr ~	205	185	255	400	530	740	1.100	1.700	2.550	3.950	7.250	9.810



**Condiciones de operación**  
**Condiciones de trabajo**

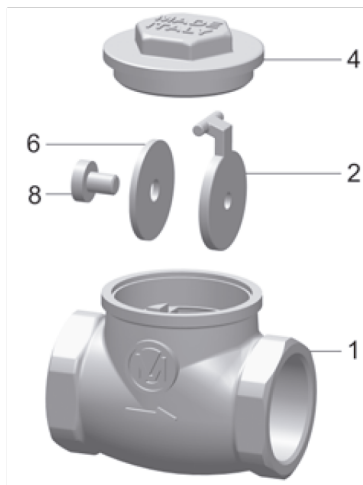
DN	3/8" ÷ 2"	2"1/2 ÷ 4"
P (bar)	10	6
P (PSI)	145	90
T (°C)	+5 +80	

**Códigos de pedido**  
**Comprar números de artículo**

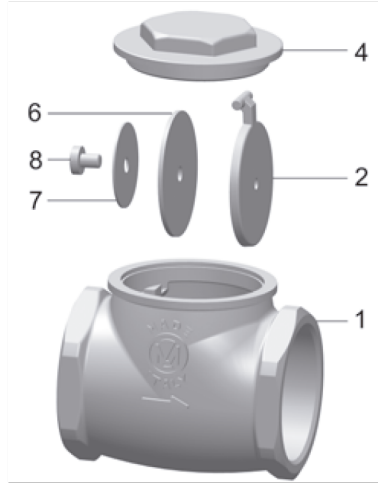


Valvola a clapet - tenuta gomma  
 Flap-valve - rubber seal

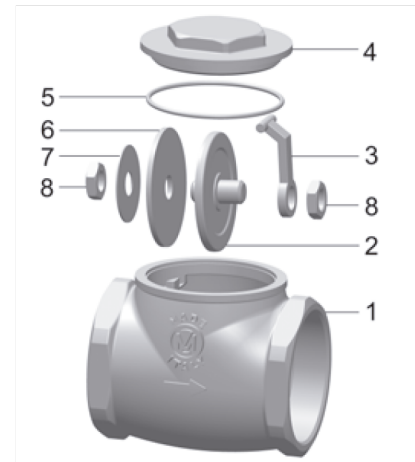
ARIN 3100 (DN) 000



3/8" - 1/2" - 3/4"



1" - 1 1/4" - 1 1/2" - 2"



2 1/2" - 3" - 4" - 5" - 6"

POS.	CODICE / CODE	DENOMINAZIONE	DENOMINATION	MATERIALE	MATERIAL
1	FOIN 3100 (DN) 001	CORPO Ø"...	BODY Ø"...	OTTONE UNI EN 1982	UNI EN 1982 BRASS
2	SOIN 3100 (DN) 002	PIATTELLO Ø"... (da 1/2" a 3")	SHUTTER Ø"... (from 1/2" to 3")	OTTONE UNI EN 1982	UNI EN 1982 BRASS
2	FOIN 3100 (DN) 002	PIATTELLO Ø"... (da 4" a 6")	SHUTTER Ø"... (from 4" to 6")	OTTONE UNI EN 1982	UNI EN 1982 BRASS
3	SOIN 3100 (DN) 003	LEVA INTERNA Ø"...	INNER LEVER Ø"...	OTTONE UNI EN 12165	UNI EN 12165 BRASS
4	SOIN 3100 (DN) 004	TAPPO Ø"... (da 1/2" a 3")	COVER Ø"... (from 1/2" to 3")	OTTONE UNI EN 1982	UNI EN 1982 BRASS
4	FOIN 3100 (DN) 004	TAPPO Ø"... (da 4" a 6")	COVER Ø"... (from 4" to 6")	OTTONE UNI EN 1982	UNI EN 1982 BRASS
5	..OR 3100 070 003	OR 3281 (Øi 71,12×2,62) 2 1/2"	O RING 3281 (Øi 71,12×2,62) 2 1/2"	GOMMA NBR 70	NBR 70 RUBBER
5	..OR 0400 080 021	OR 4337 (Øi 85,32×3,53) 3"	O RING 4337 (Øi 85,32×3,53) 3"	GOMMA NBR 70	NBR 70 RUBBER
5	..OR 3100 100 003	OR 4412 (Øi 104,37×3,53) 4"	O RING 4412 (Øi 104,37×3,53) 4"	GOMMA NBR 70	NBR 70 RUBBER
5	..OR 3100 125 003	OR 4537 (Øi 136,12×3,53) 5"	O RING 4537 (Øi 136,12×3,53) 5"	GOMMA NBR 70	NBR 70 RUBBER
5	..OR 0090 125 017	OR 4625 (Øi 158,35×3,53) 6"	O RING 4625 (Øi 158,35×3,53) 6"	GOMMA NBR 70	NBR 70 RUBBER
6	GGOM 3100 015 006	GUARNIZIONE Ø18×5,5×12 3/8"-1/2"	GASKET Ø18×5,5×2 3/8"-1/2"	GOMMA NBR 80	NBR 80 RUBBER
6	GGOM 3100 020 006	GUARNIZIONE Ø24×6,5×2 3/4"	GASKET Ø24×6,5×2 3/4"	GOMMA NBR 80	NBR 80 RUBBER
6	GGOM 3100 025 006	GUARNIZIONE Ø26×6,5×2 1"	GASKET Ø26×6,5×2 1"	GOMMA NBR 80	NBR 80 RUBBER
6	GGOM 3100 032 006	GUARNIZIONE Ø38×6,5×2 1 1/4"	GASKET Ø38×6,5×2 1 1/4"	GOMMA NBR 80	NBR 80 RUBBER
6	GGOM 3100 040 006	GUARNIZIONE Ø44×6,5×2 1 1/2"	GASKET Ø44×6,5×2 1 1/2"	GOMMA NBR 80	NBR 80 RUBBER
6	GGOM 3100 050 006	GUARNIZIONE Ø53×6,5×2 2"	GASKET Ø53×6,5×2 2"	GOMMA NBR 80	NBR 80 RUBBER
6	GGOM 3100 070 006	GUARNIZIONE Ø66×13,5×3 2 1/2"	GASKET Ø66×13,5×3 2 1/2"	GOMMA NBR 80	NBR 80 RUBBER
6	GGOM 3100 080 006	GUARNIZIONE Ø80,5×13,5×3 3"	GASKET Ø80,5×13,5×3 3"	GOMMA NBR 80	NBR 80 RUBBER
6	GGOM 3100 100 006	GUARNIZIONE Ø103×13,5×3 4"	GASKET Ø103×13,5×3 4"	GOMMA NBR 80	NBR 80 RUBBER
6	GGOM 3100 125 006	GUARNIZIONE Ø133×17×3 5"	GASKET Ø133×17×3 5"	GOMMA NBR 70	NBR 70 RUBBER
6	GGOM 3100 150 006	GUARNIZIONE Ø158×17×3 6"	GASKET Ø158×17×3 6"	GOMMA NBR 70	NBR 70 RUBBER
7	ROAC 3100 032 007	RONDELLA Ø23×6,5×1 1 1/4"	WASHER Ø23×6,5×1 1 1/4"	ACCIAIO INOX AISI 304	AISI 304 STAINLESS STEEL
7	ROAC 3100 040 007	RONDELLA Ø30×6,5×1 1 1/2"	WASHER Ø30×6,5×1 1 1/2"	ACCIAIO INOX AISI 304	AISI 304 STAINLESS STEEL
7	ROAC 3100 050 007	RONDELLA Ø36×6,5×1 2"	WASHER Ø36×6,5×1 2"	ACCIAIO INOX AISI 304	AISI 304 STAINLESS STEEL
7	ROAC 3100 070 007	RONDELLA Ø43×13,5×1 2 1/2"	WASHER Ø43×13,5×1 2 1/2"	ACCIAIO INOX AISI 304	AISI 304 STAINLESS STEEL
7	ROAC 3100 080 007	RONDELLA Ø50×13,5×1 3"	WASHER Ø50×13,5×1 3"	ACCIAIO INOX AISI 304	AISI 304 STAINLESS STEEL
7	ROAC 3100 100 007	RONDELLA Ø60×13,5×1 4"	WASHER Ø60×13,5×1 4"	ACCIAIO INOX AISI 304	AISI 304 STAINLESS STEEL
7	ROAC 3100 125 007	RONDELLA Ø95×17×1,5 5"	WASHER Ø95×17×1,5 5"	ACCIAIO INOX AISI 304	AISI 304 STAINLESS STEEL
7	ROAC 3100 150 007	RONDELLA Ø105×17×1,5 6"	WASHER Ø105×17×1,5 6"	ACCIAIO INOX AISI 304	AISI 304 STAINLESS STEEL
8	VTAC 3100 015 008	VITE M5×8 (3/8"-1/2")	SCREW M5×8 (3/8" - 1/2")	ACCIAIO INOX AISI 304	AISI 304 STAINLESS STEEL
8	VTAC 3100 050 008	VITE TC M6×8 (3/4" ÷ 2")	SCREW TC M6×8 (3/4" ÷ 2")	ACCIAIO INOX AISI 304	AISI 304 STAINLESS STEEL
8	TOIR 1040 006 021	DADO 1/4" (2 1/2" - 3" - 4")	NUT 1/4" (2 1/2" - 3" - 4")	OTTONE UNI EN 12165	UNI EN 12165 BRASS
8	TOIR 1050 010 020	DADO 3/8" (5" - 6")	NUT 3/8" (5" - 6")	OTTONE UNI EN 12165	UNI EN 12165 BRASS

**Tabella conversione Ø"(in) - DN (mm)**

Ø"(in) - DN (mm) conversion table

Ø"	3/8"	1/2"	3/4"	1"	1 1/4"	1 1/2"	2"	2 1/2"	3"	4"	5"	6"
DN	010	015	020	025	032	040	050	070	080	100	125	150